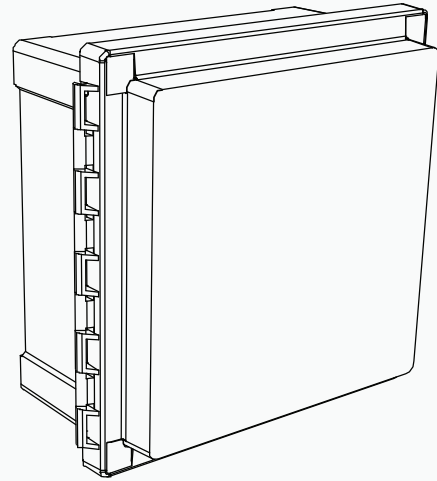


# POWERWALL

## Gateway

The Gateway for Tesla Powerwall provides energy management and monitoring functions for the Powerwall system, enabling solar self-consumption and time-based control applications.

The Gateway communicates directly with Powerwall, allowing you to monitor home energy use from any mobile device with the Tesla app.



### PERFORMANCE SPECIFICATIONS

AC Meter	Revenue grade (+/- 1%)
Connectivity	Ethernet, Cellular (3G) <sup>1</sup> , Wi-Fi
User Interface	Tesla App
Operating Modes	Support for solar self-consumption and time-based control
Modularity	Supports up to 10 AC-coupled Powerwalls
Warranty	10 years

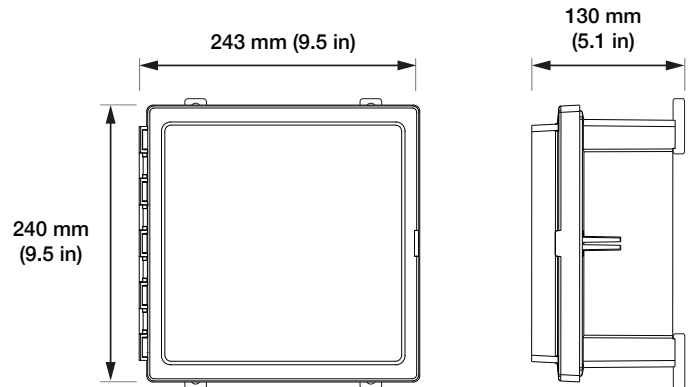
<sup>1</sup>Cellular connectivity subject to network operator service coverage and signal strength.

### COMPLIANCE INFORMATION

Certifications	UL 1642, UL 1741, IEC 60950-1, IEC 60950-22, CSA C22.2.107.1
Grid Connection	Worldwide Compatibility
Emissions	FCC Part 15 Class B, ICES 003, EN 301489-1, EN 301489-7, EN 301489-17
Environmental	RoHS Directive 2011/65/EU, WEEE Directive 2012/19/EU, Battery Directive 2006/66/EC
Seismic	AC156, IEEE 693-2005 (high)

### MECHANICAL SPECIFICATIONS

Dimensions	240 mm x 243 mm x 130 mm (9.5 in x 9.5 in x 5.1 in)
Weight	2 kg (4.5 lbs)
Mounting options	Wall mount



### ENVIRONMENTAL SPECIFICATIONS

Operating Temperature	-20°C to 50°C (-4°F to 122°F)
Operating Humidity (RH)	Up to 100%, condensing
Maximum Elevation	3000 m (9843 ft)
Environment	Indoor and outdoor rated
Enclosure Type	NEMA 4
Ingress Rating	IP65